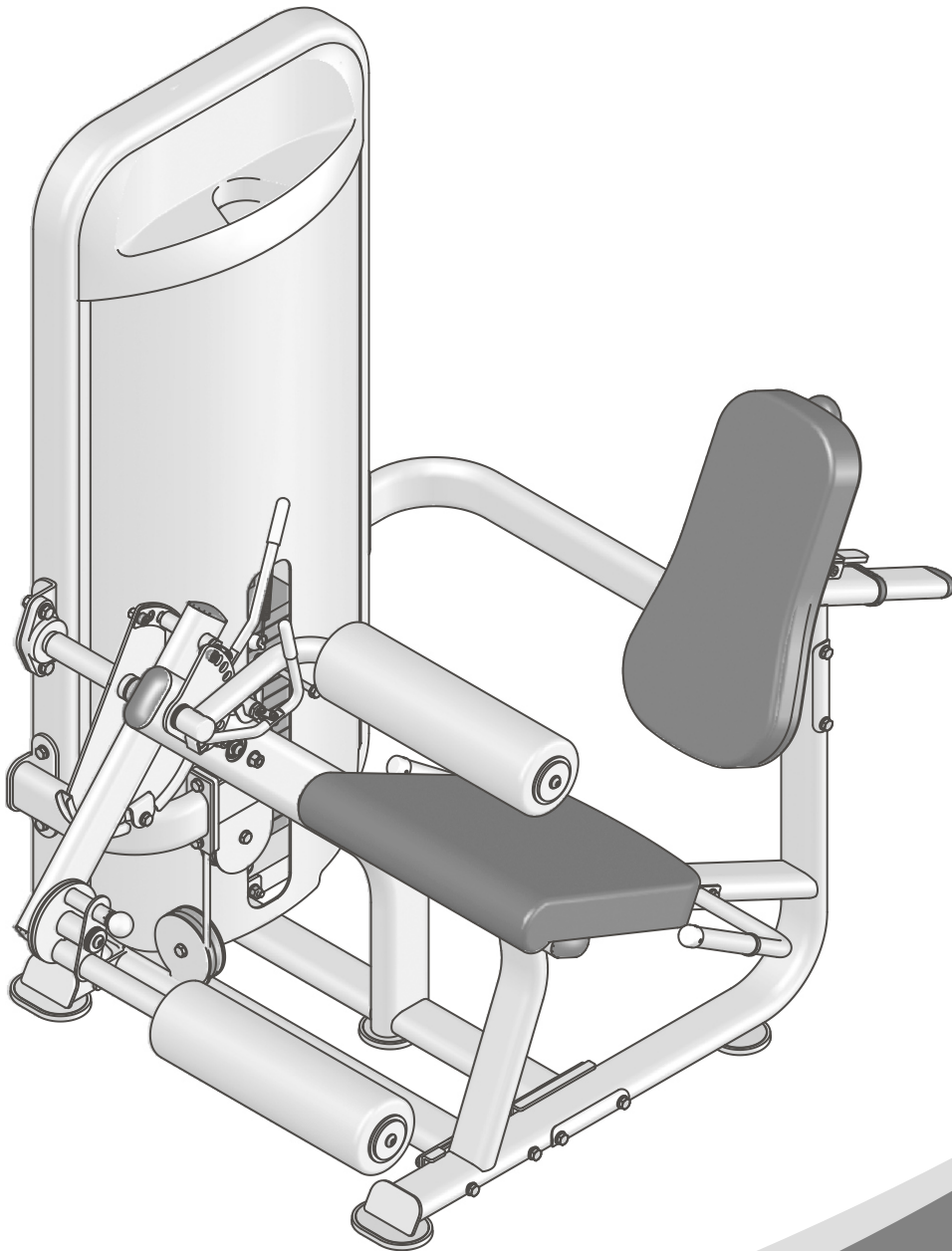


# PL9019

Leg Extension/Leg Curl

## OWNER'S MANUAL



### **! CAUTION**

Read all precautions  
and instructions in this manual  
before using this equipment

**! CAUTION**

Read all precautions and instructions in this manual before using this equipment.

## Table Of Contents

Important Safety Instructions-----	3
Instructions-----	5
Parts List-----	6
Exploded View -----	7
Measurement Guide-----	8
Assembly Instructions-----	9
Assembly-----	10
Adjust Instructions-----	17
Exercise Instructions-----	18
Maintenance Schedule-----	19
General Maintenance Information-----	20
Weight Training Tips-----	21

## Important Safety Instructions

Before beginning any fitness program, you should obtain a complete physical examination from your physician. When using exercise equipment, basic precautions should always be taken, including the following:

1. Read all instructions before using the equipment.  
These instructions are written to ensure your safety and to protect the unit.
2. Use the equipment only for its intended purpose as described in this guide.  
Do not use accessory attachments that are not recommended by the manufacturer: such attachments might cause injuries.
3. The product should only be used on a level surface and is with 0.5 meters space around the product.  
Do not use the equipment outdoors.
4. Do not allow children on or near the equipment. And children are not allowed to use this equipment.  
Teenagers should use this equipment with adult supervision.
5. Do not overexert yourself or work to exhaustion.  
Do not attempt to lift more weight than you can control safely.  
If you feel any pain or abnormal symptoms, stop your workout immediately and consult your physician.
6. This equipment is not used as medical apparatus and instruments.
7. Never operate the unit when it has been dropped or damaged.  
Never drop or insert anything into any opening in the equipment.  
Always check the unit and its cables before each use. Make sure that all fasteners and cables are secure and in good working condition.  
Frayed or worn cables can be dangerous and may cause injury. Periodically check these cables for any indication of wear.  
Keep hands, limbs, loose clothing and long hair well out of the way of moving parts.
8. Be careful when getting on or off the equipment.
9. Wear proper exercise clothing and shoes for your workout, no loose clothing.

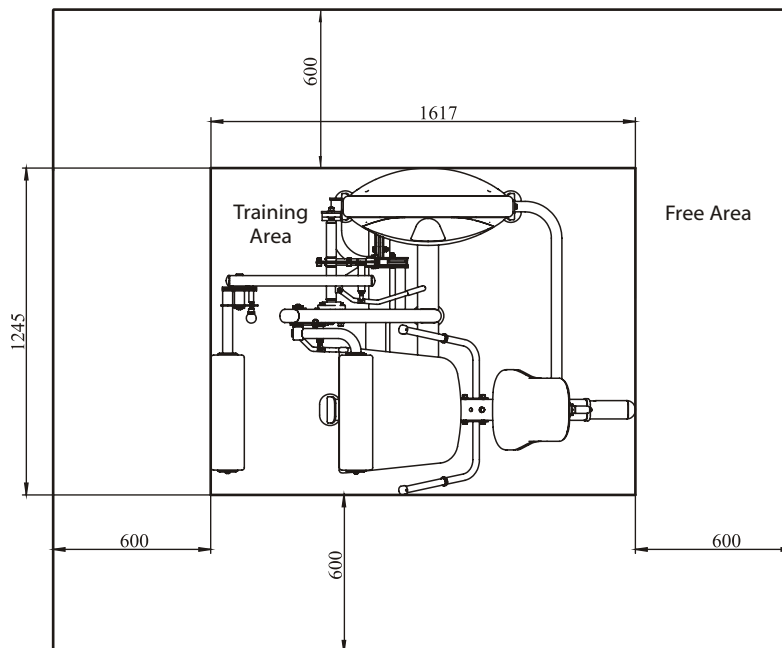
## Important Safety Instructions

### Personal Safety During Assembly

Read each step in the assembly instructions and follow the steps in sequence. Do not skip ahead. If you skip ahead, you may learn later that you have to disassemble components and that you may have damaged the equipment.

Assemble and operate the equipment on a solid, level surface. Locate the unit a few feet from walls or furniture to provide easy access. The equipment is designed for your enjoyment. By following these precautions and using common sense, you will have many safe and pleasurable hours of healthful exercise with the equipment.

### Training Area and Free Area



### Specifications

Class: S

Maximum User Weight: 150kg/ 330lbs

Maximum Wt. Capacity: 113Kg/ 250lbs

Product Total Surface: 1465\*1245 mm

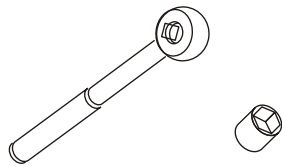
Product Total Mass: 115.5kg/ 255lbs

## Instructions

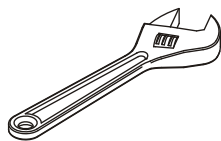
Before beginning assembly please take the time to read instructions thoroughly. Please use the various lists in this manual to make sure that all parts have been included in your shipment. When ordering, use part number and description from the lists. Use only our replacement part when servicing. Failure to do so will void your warranty and could result in personal injury.

The equipment is designed to provide the smoothest, most effective exercise motion possible. After assembly, you should check all functions to ensure correct operation. If you experience problems, first recheck the assembly instructions to locate any possible errors made during assembly. If you are unable to correct the problem, call your authorized dealer. Be sure to have your serial number and this manual when calling. When all parts have been accounted for, continue on.

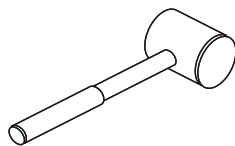
## Tools Required



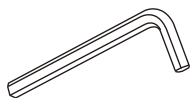
Ratchet Wrench and Socket



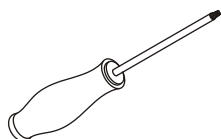
Adjustable Wrench



Rubber Mallet



Hex Key Wrench Set



Phillips Screwdriver

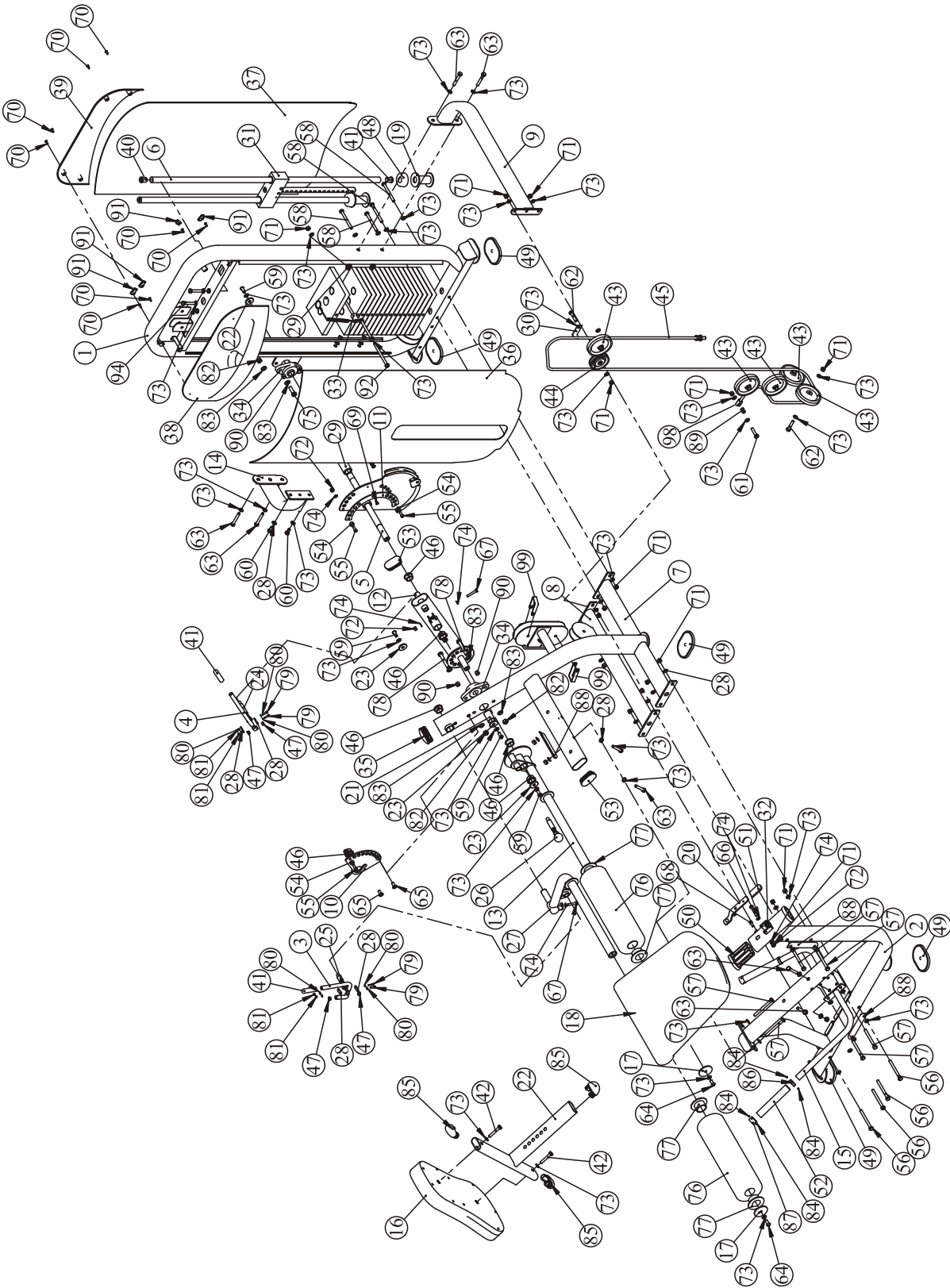
# Parts List

**NOTE: SOME OF THESE PARTS MAY COME PRE-INSTALLED**

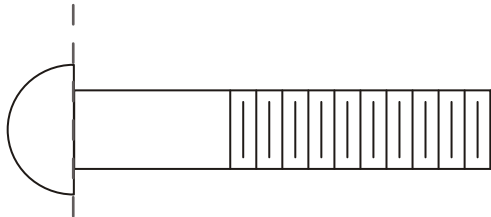
Item No.	Description	Qty	Item No.	Description	Qty
1	Weight Stack Frame	1	51	Hand Cushion	1
2	Seat Pad Frame	1	52	Grip $\Phi 30 \times \Phi 22 \times 270$	2
3	Curl Arm Adjustment, Assy	1	53	Plug RT 40*80	3
4	Extension Arm Adjustment, Assy	1	54	Separate Cap $\Phi 17 \times 10.5$	3
5	Cable Cam	1	55	Socket Head Cap Screw M8*20	3
6	Guide Rod	2	56	Hex Head Bolt M10*115	4
7	Front Frame	1	57	Hex Head Bolt M10*110	6
8	Bottom Cross Brace	1	58	Hex Head Bolt M10*105	4
9	Rear Brace	1	59	Hex Head Bolt M10*25	4
10	Adjustable Plate	1	60	Hex Head Bolt M10*20	2
11	Adjustable Plate	1	61	Hex Head Bolt M10*45	1
12	Ext/Curl Arm	1	62	Hex Head Bolt M10*50	8
13	Ankle Roller Frame	1	63	Hex Head Bolt M10*65	8
14	Side Frame	1	64	Button Head Cap Screw M10*25	2
15	Handle	1	65	Flat Head Cap Screw M10*25	2
16	Back Pad	1	66	Pan Head Phillips Screw M8*55	1
17	Big Washer $\Phi 63.5 \times 4$	2	67	Hex Head Bolt M8*40	2
18	Seat Pad	1	68	Socket Head Cap Screw M8*25	1
19	Weight Stack Base	2	69	Flat Head Cap Screw M5*10	1
20	Adjustable Support	1	70	Pan Head Phillips Screw M5*15	8
21	Adjustment Bush	1	71	Nylon lock Nut M10	27
22	Back Pad Frame	1	72	Nylon lock Nut M8	5
23	Lid Plate $\Phi 38 \times \Phi 10.5 \times 4$	4	73	Washer $\Phi 11 \times \Phi 20 \times 1.5$	70
24	Pin For Extension/ Curl	1	74	Washer $\Phi 18 \times \Phi 9 \times 1.5$	8
25	Pin For Thigh Pad Assy	1	75	M12*40 Hex Head Bolt	2
26	Pop Pin	1	76	FOAM	2
27	Thigh Pad Frame Assy	1	77	Bush of Rolling Pad	4
28	Pin Link Plate	4	78	Hex Head Bolt M12*80	2
29	Long Adjustment Bush	1	79	Socket Head Cap Screw M5*20	4
30	Pulley Prevent Bracket	1	80	Washer $\Phi 5.5 \times \Phi 10 \times 1$	8
31	Top Plate	1	81	Nylon lock Nut M5	4
32	Spring	1	82	Nylon lock Nut M12	4
33	Selector Pin W/Coil	1	83	Washer $\Phi 13 \times \Phi 24 \times 2$	8
34	Pillow Block Bearing UCFL205-25	2	84	Socket Set Screw 10-32*3.2	8
35	Plug RT50*100	1	85	Plug RT 30*70	3
36	Bottom Front Shroud	1	86	$\Phi 25.4$ Ring	2
37	Bottom Rear Shroud	1	87	$\Phi 25.4$ End Cap	2
38	Top Front Shroud	1	88	Oval Fixed Plate	3
39	Top Rear Shroud	1	89	Bushing $\Phi 10 \times \Phi 14 \times 20$	1
40	Guide Rubber Bumper $\Phi 25 \times \Phi 21 \times 28$	4	90	Spacer $\Phi 16 \times \Phi 12.2 \times 12.5$	4
41	Yellow Grip $\Phi 19 \times \Phi 14 \times 70$	2	91	U-Style Tapped Hole Nut M5	4
42	M10*55 Hex Head Bolt	2	92	Hex Head Bolt M10*135	1
43	4.5" Pulley	5	93	Hex Head Bolt M10*190	1
44	3.5" Pulley	1	94	Hex Head Bolt M10*50(Whole Screw)	2
45	Cable	1	95	Hex Key S=6	1
46	Bushing $\Phi 38 \times \Phi 25.4 \times 18$	6	96	Hex Key S=4	1
47	Bushing $\Phi 16 \times \Phi 12 \times 8$	4	97	Lube	1
48	Weight Rubber Bumper	2	98	Cable End	1
49	Foot Pad	5	99	U Bracket	2
50	Plastic Tube Guide	2			

**! There are two configuration of weights: 250LBS(sixteen 15LBS Weight Plate) and 170LBS(sixteen 10LBS Weight Plate), please see following form for details.**

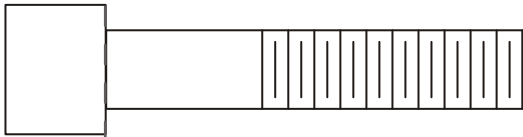
# Exploded View



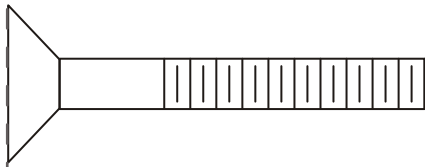
# Measurement Guide



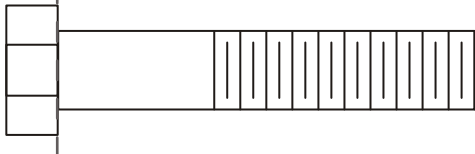
BHCS = Button Head Cap Screw



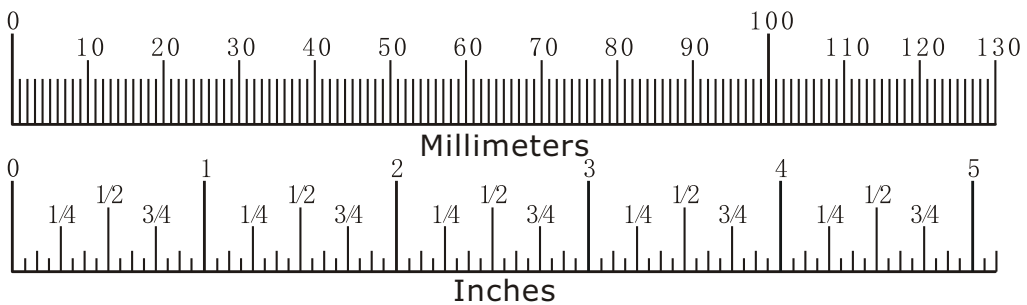
SHCS = Socket Head Cap Screw



FHCS = Flat Head Cap Screw



HHB = Hex Head Bolt



Diameter of bolt (mm/inch)	M6(1/4")	M8(5/16")	M10(3/8")	M12(1/2")	M16(5/8")
Tightening torque (N.m)	9~12	22~30	45~59	78~104	193~257
Operational methods for adult men	The strength of the wrist	The strength of the wrist and forearm	The strength of the entire arm	The strength of the arm and upper body	with all strength



## Assembly Instructions

Assembly of the equipment takes professional installers about 2 hours. If this is the first time you have assembled this type of equipment, plan to spend more time. It is strongly recommended to assemble the equipment by professional installers. You may find it quicker, safer, easier to assemble this equipment with the help of a friend, as some of components may be large, heavy or awkward to handle alone. It is important that you assemble your product in a clean, clear, uncluttered area. This will enable you to move around the product while you are fitting components and reduce the possibility of injury during assembly.

### **NOTE**

As with any assembled part, proper alignment and adjustment is critical. While tightening the fasteners, be sure to leave room for adjustments. Do not fully tighten the fasteners until instructed to do so. Be careful to assemble the components in the sequence presented in this guide.

# Assembly

## Step 1

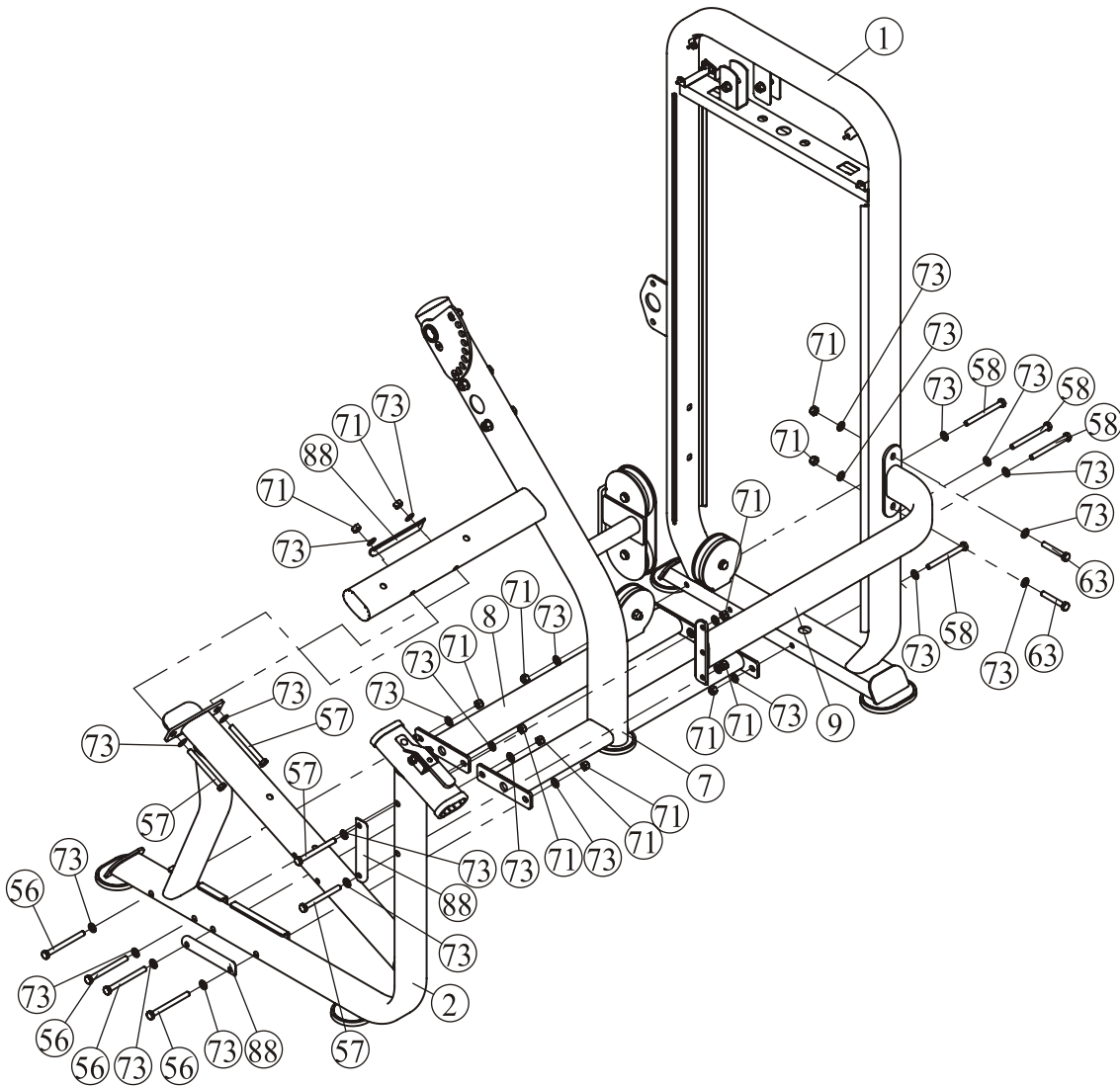
1. Attach the Bottom Cross Brace (#8), the Front Frame (#7) to the Weight Stack Frame (#1) using:
 

four M10*105 HHB (#58)	eight $\Phi 20 \times \Phi 11 \times 1.5$ Washer (#73)
four M10 Nylon lock Nut (#71)	
2. Attach the Rear Brace (#9) to the Weight Stack Frame (#1) using:
 

two M10*65 Hex Head Bolt (#63)	four $\Phi 20 \times \Phi 11 \times 1.5$ Washer (#73)
two M10 Nylon lock Nut (#71)	
3. Attach the Seat Pad Frame (#2) to the Front Frame (#7), the Bottom Cross Brace (#8) using:
 

two Oval Fixed Plate (#88)	four M10*115 HHB (#56)
two M10*110 HHB (#57)	twelve $\Phi 20 \times \Phi 11 \times 1.5$ Washer (#73)
six M10 Nylon lock Nut (#71)	
4. Attach the Seat Pad Frame (#2), the Rear Brace (#9) to the Weight Stack Frame (#1) using:
 

one Oval Fixed Plate (#88)	two M10*110 HHB (#57)
four $\Phi 20 \times \Phi 11 \times 1.5$ Washer (#73)	two M10 Nylon lock Nut (#71)



# Assembly

## Step 2

1. Attach the Long Adjustment Bush (#29), the Ext/Curl Arm (#12), two Pillow Block Bearing (#34) to Cable Cam (#5) shaft two end.

2. Attach two Pillow Block Bearings (#34) to the Front Frame (#7), the Weight Stack Frame (#1) using:

four Spacer (#90)

two M12\*80 HHB (#78)

two M12\*40 HHB (#75)

eight  $\Phi 13*\Phi 24*2$  Washer (#83)

four M12 Nylon lock Nut (#82)

3. Fix the Cable Cam (#5) shaft two end. using:

one Adjustment Bush (#21)

two  $\Phi 38*\Phi 10.5*4$  Lid Plate (#23)

two  $\Phi 20*\Phi 11*1.5$  Washer (#73)

two M10\*25 Hex Head Bolt (#59)

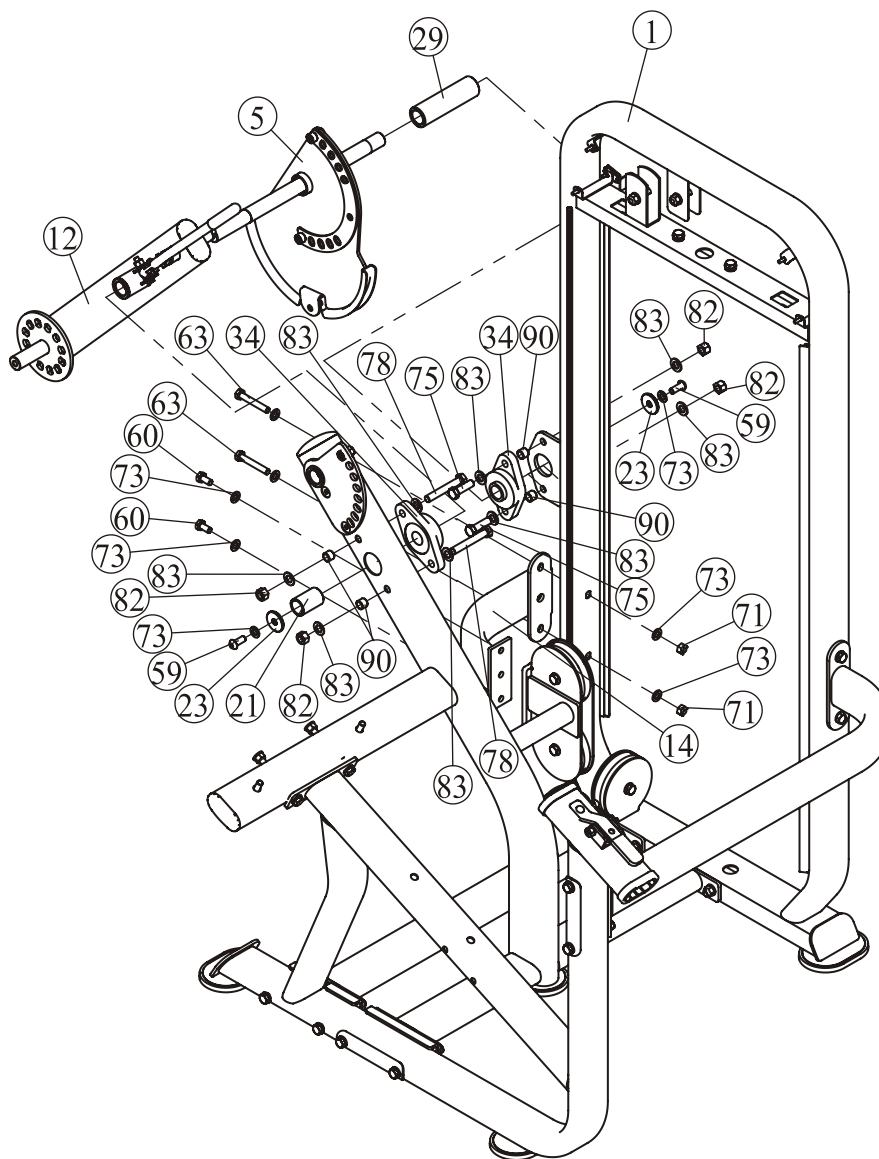
4. Attach the Side Frame (#14) to the Weight Stack Frame (#1) and the Front Frame (#7). using:

two M10\*65 HHB (#63)

two M10\*20 HHB (#60)

six  $\Phi 11*\Phi 20*1.5$  Washer (#73)

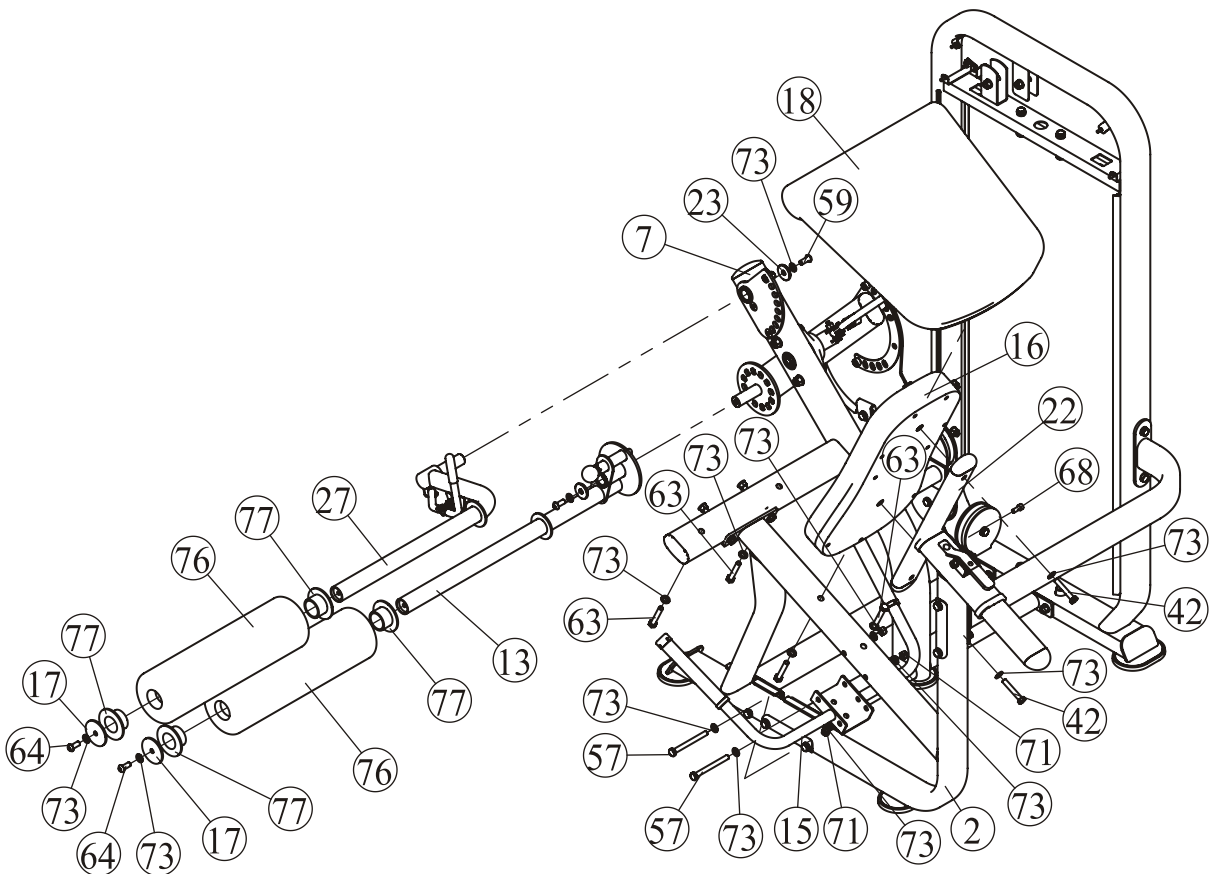
two M10 Nylon lock Nut (#71)



# Assembly

## Step 3

1. Attach the Thigh Pad Frame Assy (#27) to the Front Fram (#7). using:  
 one  $\Phi 38 \times \Phi 10.5 \times 4$  Lid Plate (#23)                      one  $\Phi 11 \times \Phi 20 \times 1.5$  Washer (#73)  
 one M10\*25 HHB (#59)
2. Attach the Ankle Roller Frame (#13) to the Ext/Curl Arm (#12), using:  
 one  $\Phi 38 \times \Phi 10.5 \times 4$  Lid Plate (#23)                      one  $\Phi 11 \times \Phi 20 \times 1.5$  Washer (#73)  
 one M10\*25 HHB (#59)
3. Attach two FOAM (#76) to the Ankle Roller Frame (#13) and the Thigh Pad Frame Assy (#27) using:  
 four Bush of Rolling Pad (#77)                                      two  $\Phi 63.5 \times 4$  Big Washer (#17)  
 two  $\Phi 11 \times \Phi 20 \times 1.5$  Washer (#73)                                  two M10\*25 BHCS (#64)
4. Attach the Handle (#15) to the Seat Pad Frame (#2) using:  
 two M10\*110 HHB (#57)    one M10\*65 HHB (#63)  
 six  $\Phi 11 \times \Phi 20 \times 1.5$  Washer (#73)                                      three M10 Nylon lock Nut (#71)
5. Attach the Back Pad Frame (#22) to the Seat Pad Frame (#2) using:  
 one M8\*25 SHCS (#68)
6. Attach the Back Pad (#16) to the Back Pad Frame (#22) using:  
 two M10\*55 HHB (#42)    two  $\Phi 11 \times \Phi 20 \times 1.5$  Washer (#73)
7. Attach the Seat Pad (#18) to the Seat Pad Frame (#2), using:  
 two M10\*65 HHB (#63)    two  $\Phi 11 \times \Phi 20 \times 1.5$  Washer (#73)

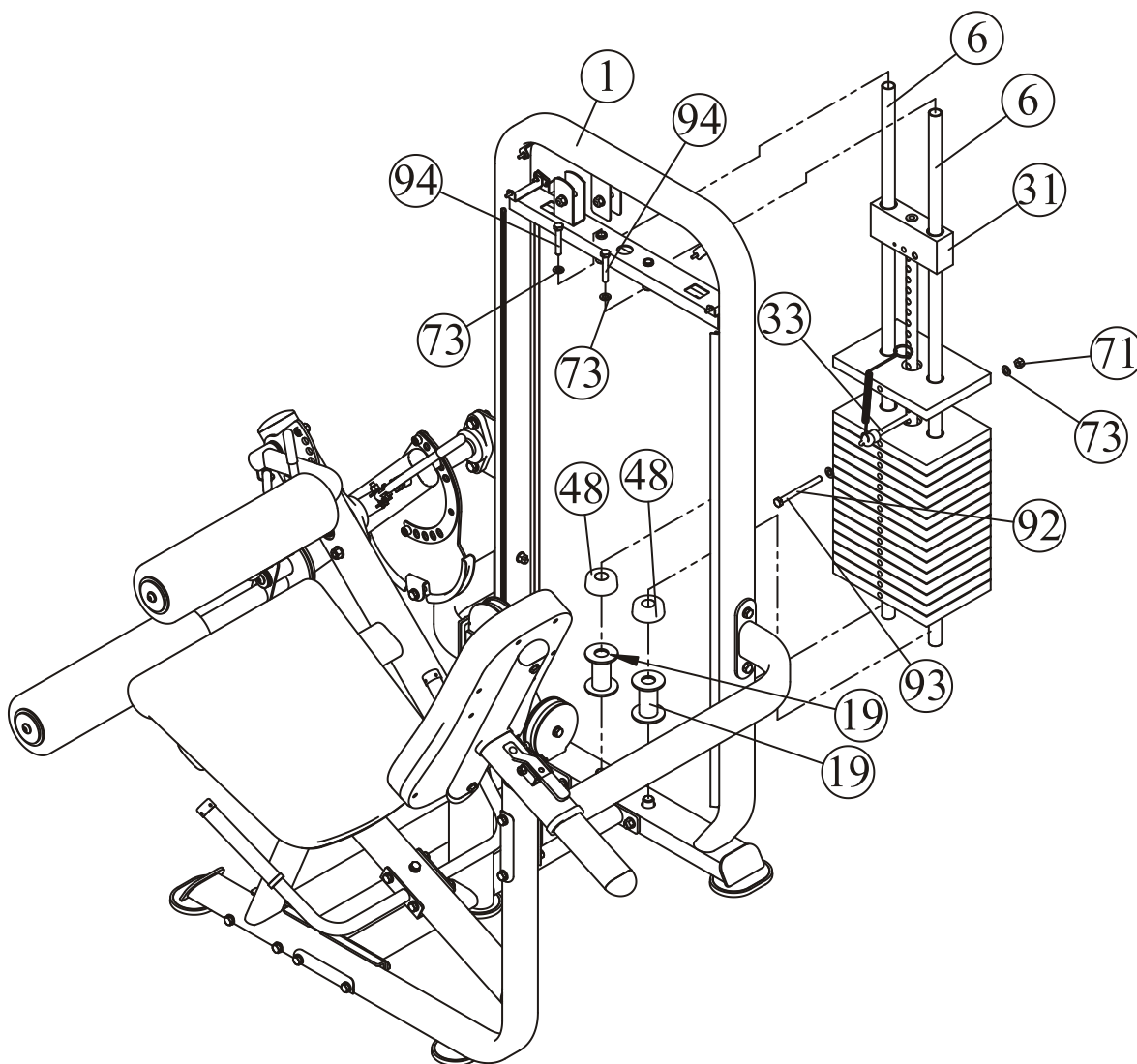


# Assembly

## Step 4

1. Attach two Weight Stack Base (#19), two Weight Rubber Bumpers (#48), two Guide Rods (#6) to the Weight Stack Frame (#1).
2. Attach sixteen Weight Plate.
3. Attach One Top Plate (#31) and the Selector Pin W/Coil (#33).
4. Fix two Guide Rods (#6) to Weight Stack Frame (#1) using:  
two M10\*50 (Whole Screw) HHB (#94)      two  $\Phi 11*\Phi 20*1.5$  Washer (#73)
5. Attach the second Weight Plate to Top Plate (#31) using:  
one M10\*190 HHB (#93) (250LBS)      one M10\*135 HHB (#92) (170LBS)  
two  $\Phi 11*\Phi 20*1.5$  Washer (#73)      one M10 Nylon lock Nut (#71)

**! There are two configuration of weights: 250LBS(sixteen 15LBS Weight Plate) and 170LBS(sixteen 10LBS Weight Plate), please see following form for details.**

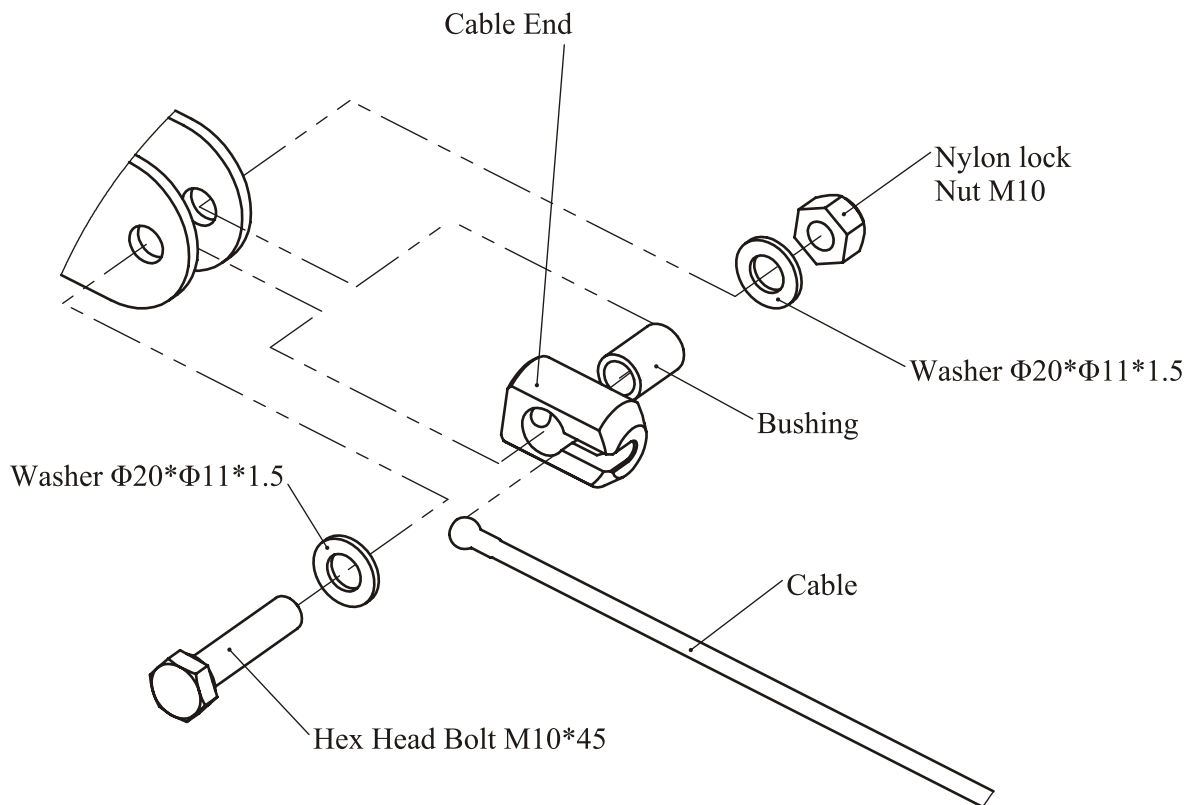


# Assembly

## Step 5-1

### Note:

1. First attach Cable End to the Cable.
2. Second attach Bushing to the Cable End.
3. Then attach Cable End to the frame using:
  - one Hex Head Bolt M10\*45
  - one Nylon lock Nut M10
  - two Washer  $\Phi 20*\Phi 11*1.5$

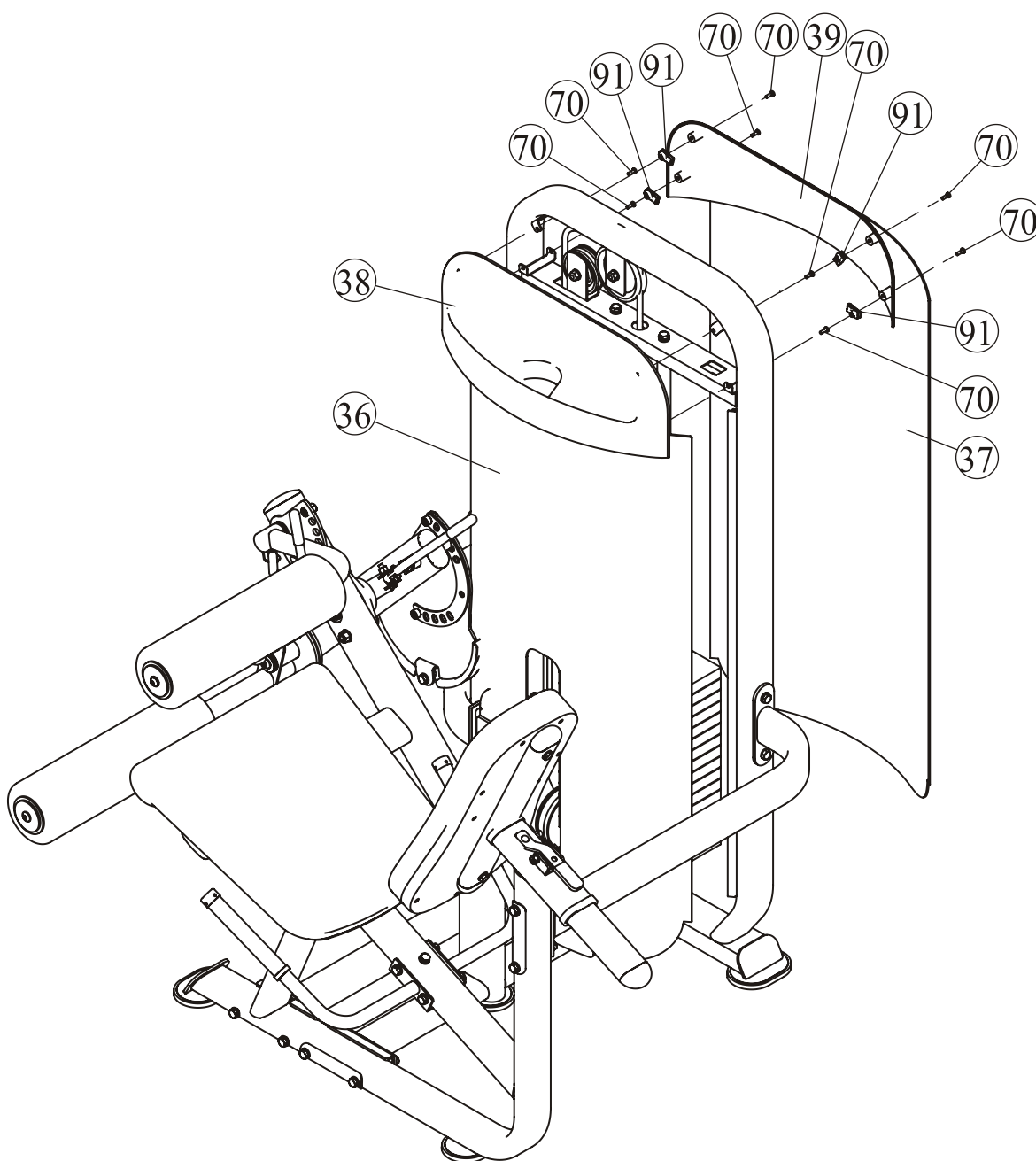




# Assembly

## Step 6

1. Attach the Bottom Front Shroud (#36) and the Bottom Rear Shroud to the Weight Stack Frame (#1).
2. Attach the Top Front Shroud (#38) to the Weight Stack Frame (#1) using:  
four M5\*15 PHPS (#70)
3. Attach the Top Rear Shroud (#39) to the Weight Stack Frame (#1) using:  
four M5 U-Style Tapped Hole Nut (#91)      four M5\*15 PHPS (#70)





## Adjust Instructions

### Back Pad adjustment

1. Push the Adjustable Support and adjust the Back Pad to the desired position.
2. Make sure that the pin gets into the hole completely.

### Ankle Roller Pad adjustment

1. Pull the Pull Pin and adjust Ankle Rolling Pad to desired position.
2. Make sure that the Pin gets into the hole completely.

### Ext/Curl Arm adjustment

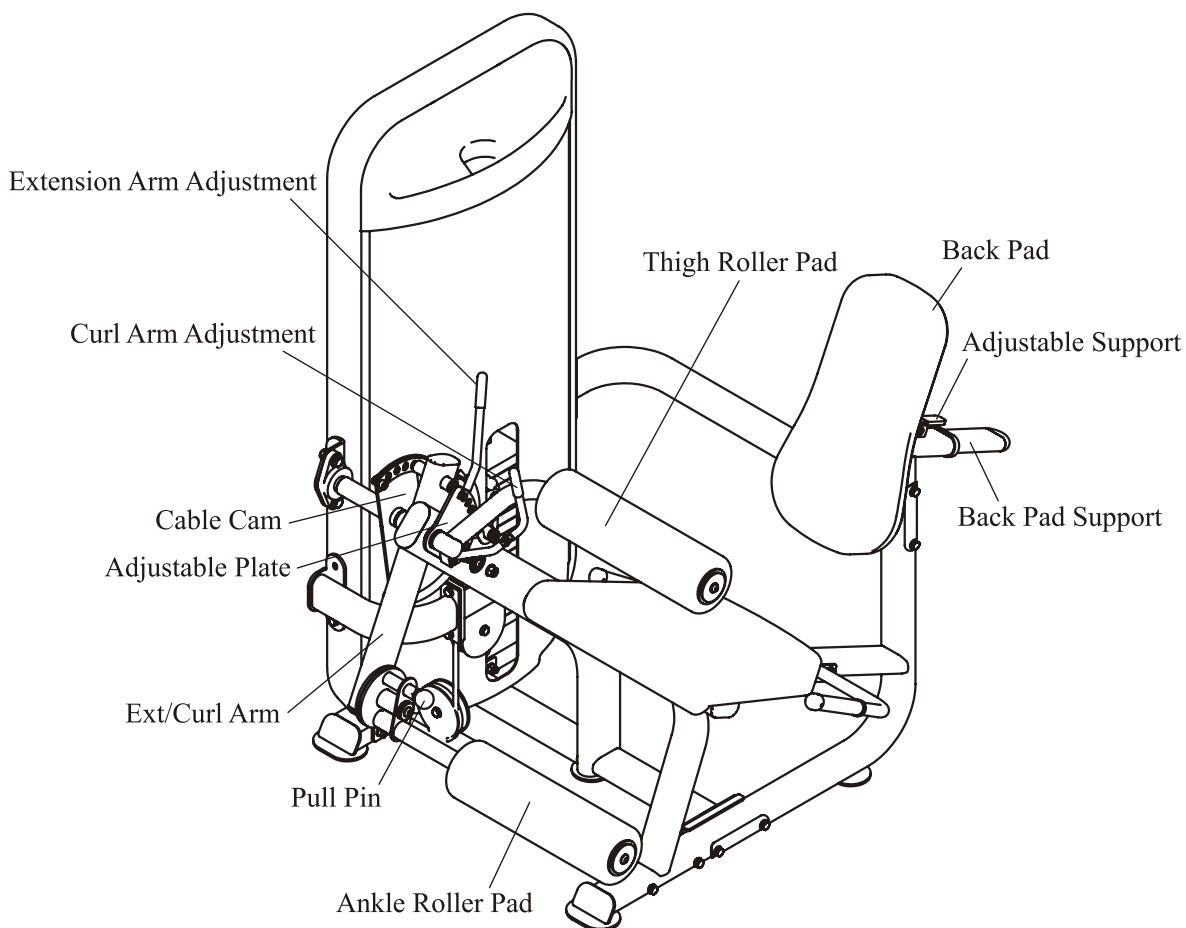
1. Pull the Extension Arm Adjustment and adjust Ext/Curl Arm to desired position.
2. Make sure that the Pin gets into the hole completely.

### Thigh Roller Pad adjustment

1. Pull the Curl Arm Adjustment and adjust Thigh Roller Pad to desired position.
2. Make sure that the Pin gets into the hole completely.

### The use of Selector Pin

1. Select an appropriate weight and put the Selector Pin into the hole on it.
2. Make sure that the Selector Pin gets into the hole completely.



## Exercise Instructions

### **LEG EXTENSION / LEG CURL** PL9019



Leg extension



Leg curl

#### Exercise Instructions:

##### SET UP

- 1 Select an appropriate weight.
- 2 Adjust back pad to the desired position.

##### EXERCISE

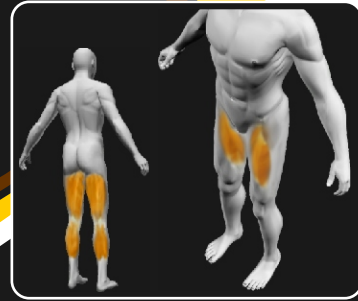
###### • Leg extension:

Adjust leg arm to desired lower position, hook both ankles under the roller pad, then extend legs outward.

###### • Leg curl:

Adjust leg arm to desired higher position, place both ankles on the top of the roller pad, then curl legs inward.

- Pause slightly then slowly return to the starting position.



## SET UP

- 1 Select an appropriate weight.
- 2 Adjust back pad to the desired position.

## EXERCISE

### ● Leg extension:

Adjust leg arm to desired lower position, hook both ankles under the roller pad, then extend legs outward.

### ● Leg curl:

Adjust leg arm to desired higher position, place both ankles on the top of the roller pad, then curl legs inward.

- Pause slightly then slowly return to the starting position.

(Adjust weight according to the select pin)

# Maintenance Schedule

ROUTINE	COMMERCIAL MAINTENANCE	HOME MAINTENANCE	LATEST DATE ENTRY						
Inspect; Links, Pull Pins, Snap Locks, Swivels, Weight Stack Pins	DAILY	WEEKLY							
Clean; Upholstery	DAILY	WEEKLY							
Inspect; Cables or Belts and their tension	DAILY	WEEKLY							
Inspect; Accessory Bars, and Handles	WEEKLY	3 MONTHS							
Inspect; All Decals	WEEKLY	3 MONTHS							
Inspect; All Nuts and Bolts, Tighten if needed	WEEKLY	3 MONTHS							
Inspect; Anti-Skid Surface	WEEKLY	3 MONTHS							
Clean & Lubricate; Guide Rods with a Teflon (PTFE) based lubricant (Supperlube)	MONTHLY	3 MONTHS							
Lubricate; Seat Sleeves, Turcite Bushings, Linear Bearing	MONTHLY	3 MONTHS							
Clean and Wax; All Glossy Finishes	6 MONTHS	YEARLY							
Repack with Grease; Linear Bearings	6 MONTHS	YEARLY							
Replace; Cables, Belts and Connecting Parts	YEARLY	3 YEARS							

*Your equipment comes with a commercial maintenance decal. For personal, in home use, please follow the home maintenance schedule listed above.*

## General Maintenance Information

### **Links, Pull-Pins, Snap Hooks, Swivels, Weight Stack Pins:**

- \* Check all pieces for signs of visible wear or damage.
- \* Check springs in snap hooks and pull-pins for proper tension and alignment.
- \* If the spring sticks or has lost its rigidity, replace it immediately.

### **Upholstery:**

- \* To ensure prolonged upholstery life and proper hygiene, all upholstered pads should be wiped down with a damp cloth after every workout.
- \* Periodically take the time to use a mild soap or an approved vinyl upholstery cleaner to deter the onset of cracking or drying. Avoid using any abrasive cleaners or cleaners not intended for use on vinyl.
- \* Replace ripped or worn upholstery immediately.
- \* Keep sharp or pointed objects clear of all upholstery.

### **Decals:**

- \* Inspect and familiarize yourself with any safety warnings or other user information posted on each decal.

### **Nuts and Bolts:**

- \* Inspect all nuts and bolts for any loosening and tighten if needed.
- \* Go through a re-tightening sequence periodically to ensure that all hardware is tensioned proper.

### **Anti-Skid Surfaces:**

- \* These surfaces are designed to supply secure footing and need to be replaced if they appear worn or become slippery.

### **Belts and Cables:**

- \* We use only high quality belt, and mil-spec cables.
- \* Visually inspect the belts and cables for fraying, cracking, peeling or discoloration.
- \* While the machine is not in use, carefully run your fingers along the belt or cable to feel for thinning or bulging areas.
- \* Replace belts and cables immediately at the first signs of damage or wear. Do not use equipment until belts or cables have been replaced.

### **Belt and Cable Tension:**

- \* Referring to the Owners Manual, when belts or cables are used check all bolts attachments to be sure they are properly attached.
- \* Check slack in cables and re-adjust cable tension if needed.

### **Seat Sleeves, Guide Rods:**

- \* Wipe down adjusting tubes with a dust free rag before applying lubricant.
- \* Lubricate seat sleeves and Guide Rods with a Silicon or Teflon based lubricant spray.

### **Linear Bearings:**

- \* Referring to the Owners Manual carefully disassemble the bearing from its housing and place a finger full of light grease (lithium, super lube, etc.) into the inside of the bearing. Using your finger, press the grease into the ball-bearings and their tracks. Repeat until the ball-bearing tracks are full of grease. Insert the shaft back into the bearing and wipe off excess grease.

**PLEASE KEEP THIS FOR YOUR RECORDS**

## Weight Training Tips

Use this manual to guide you through the basic exercises you can perform on your equipment. To gain maximum results and avoid possible injury, consult a fitness professional to develop your complete exercise program.

Always consult your physician before starting any exercise program.

To be successful in your exercise program, it is important to develop an understanding of the basic principles of strength training. Now that you have your equipment, it is only natural that you want to get started immediately. First, determine a set of realistic goals and objectives for yourself. By deciding on an exercise plan that is right for you prior to starting, you will contribute significantly to your success.

Warm up properly before engaging in weight resistance training. Stretching, yoga, jogging, calisthenics or other cardiovascular exercise can help prepare your body for the heavier workload of lifting weights.

Learn how to perform the exercise correctly before using heavy weight. Correct form is important to avoid injury and to ensure that you work the proper muscle groups.

Know your limitations. If you are new to weight training or are embarking on an exercise regimen after a long layoff, start slowly and build foundational strength over a longer period of time.

Pay attention to your breathing. Exhale when you exert is a general rule of thumb. Never hold your breath.

