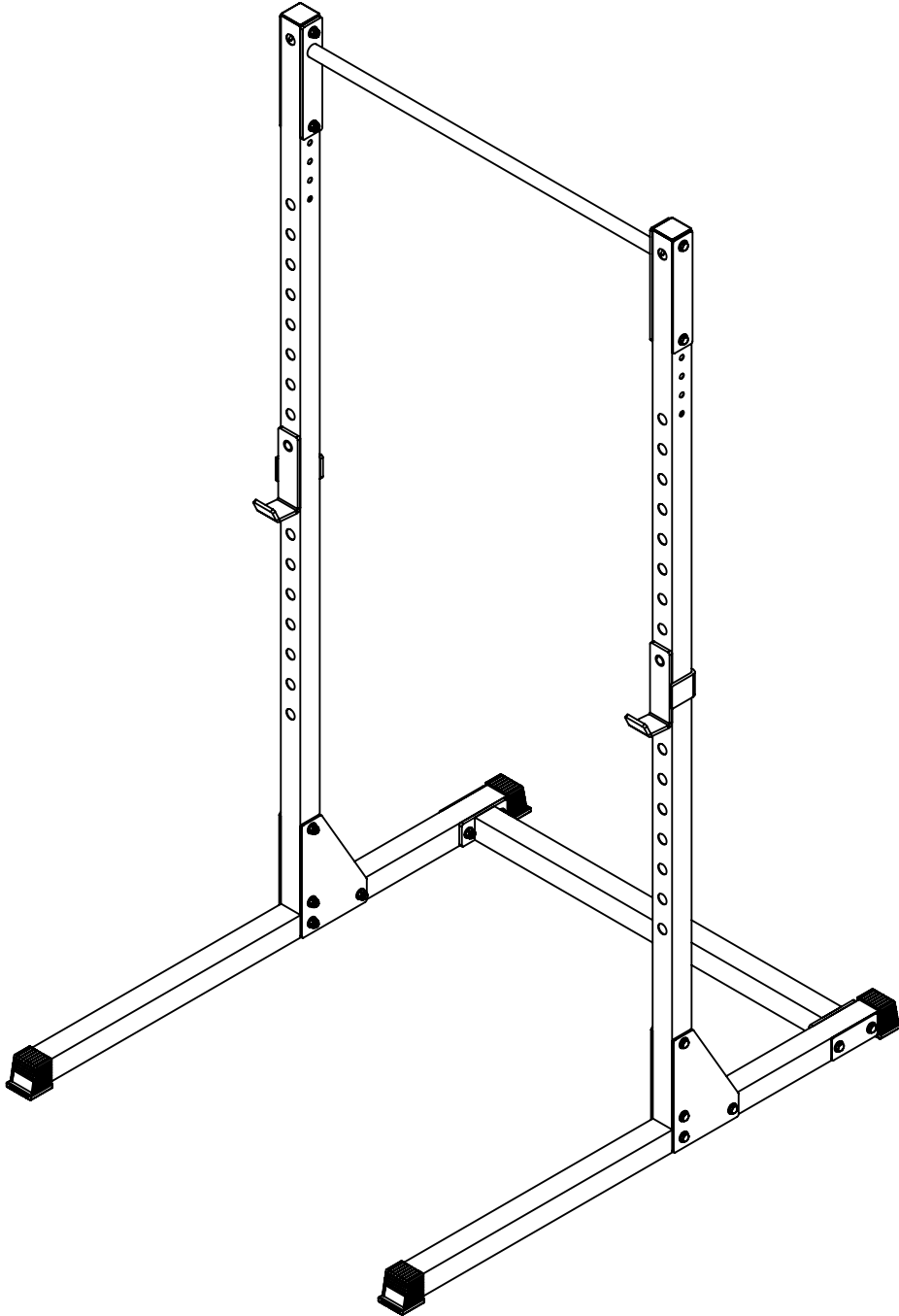


# POWER RACK



ITEM NO.	DESCRIPTION	Q'TY
1	FOOT FRAME	2
2	BOTTOM CONNECT FRAME	1
3	UPRIGHT TUBE	1
4	CHIN-UP BAR	1
5L	LEFT J-CUP	1
5R	RIGHT J-CUP	1
6	FIXED PLATE	4
7	HEX BOLT M12*90+2 WASHERS+NUT M12	16 sets
8	BRACING PLATE LONG	2
9	BRACING PLATE SHORT	2

# EXPLODED VIEW

